

## Products — Two Bearing Generators

### Model AR100 10000/9500 Watts

Totally brushless with capacitor, copper windings, bi-directional rotation Voltage Plus™ exclusive Smooth Wave™ <6% distortion.



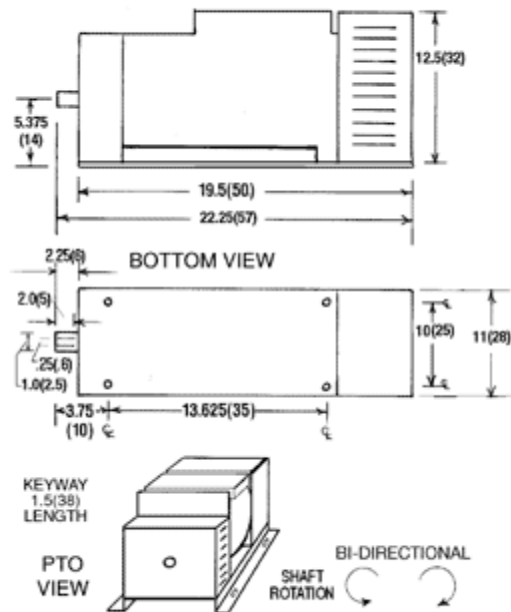
#### STANDARD FEATURES

MODEL	AR100
120V DUPLEX 20A, 5-20R RECEPTACLE	2
120V TWIST LOCK 30A, L5-30R RECEPTACLE	1
240V TWIST LOCK 30A, L14-30R RECEPTACLE	1
240V STRAIGHT 50A, 6-50R RECEPTACLE	1
CIRCUIT BREAKERS	YES
VOLTMETER	YES
SHAFT DIAMETER	1.0"(25.4)
KEYWAY	.25(6.4)
SHAFT RPTATION FROM PTO VIEW	BI-DIRECTIONAL
SHAFT SPEED RPM	3600
REQUIRED PULLEY (NOT SUPPLIED)	DOUBLE

IMPORTANT - FOR INSTALLATION CONSULT OWNER'S MANUAL.  
ALL MODELS DESIGNED FOR HORIZONTAL OPERATION ONLY.

		WATTS										
MODEL	MAXIMUM	RATED	VOLTAGE	AMPS RATED	HERTZ	PHASE	WIRE	MINIMUM REQUIRED ENGINE H.P.	REQUIRED TORQUE FT-LBS	REQUIRED GENERATOR SHAFT RPM		
AR100	10000	9500	120/240	79.2/39.6	60	1	4	16-18	26-30	3600		
MODEL	NET			PACKAGED								
	L	W	H	L	W	H	NET WEIGHT	PACKAGED WEIGHT	CUBIC FT.			
AR100	20.5(53)	9.125(53)	13.0(33)	26.5(67)	15.0(38)	17.5(44)	108(49)	126(57)	4.0			

## AR100



**CHANGES:** All specifications and dimensions are subject to change without notice and there is no obligation to make changes in units previously sold. All units are manufactured to the highest engineering standards consistent with the industry.

**GENERATOR SELECTIONS:** When selecting generator be sure that the unit takes care of present total requirements and your anticipated needs. Motor loads require 3 to 4 times wattage (or amperage) ratings on nameplate.

**RATINGS:** Apply to altitudes up to 1000 feet, standard cooling, normal ambients and gasoline fuel. Reduce ratings 3-1/2% for each 1000 feet above sea level and 1% for each 10 $\infty$  Fahrenheit rise above 60 $\infty$  Fahrenheit. Connection of a generator to a home or building requires a transfer switch. Consult a qualified technician.

Copyright © 2013 [Wanco Inc.](#) All rights reserved. [Disclaimer Information](#)

### Distributed by

Colorado Standby, LLC  
4758 N. Chestnut Street  
Colorado Springs, CO 80907  
866-888-6111, fax 719-533-1928